

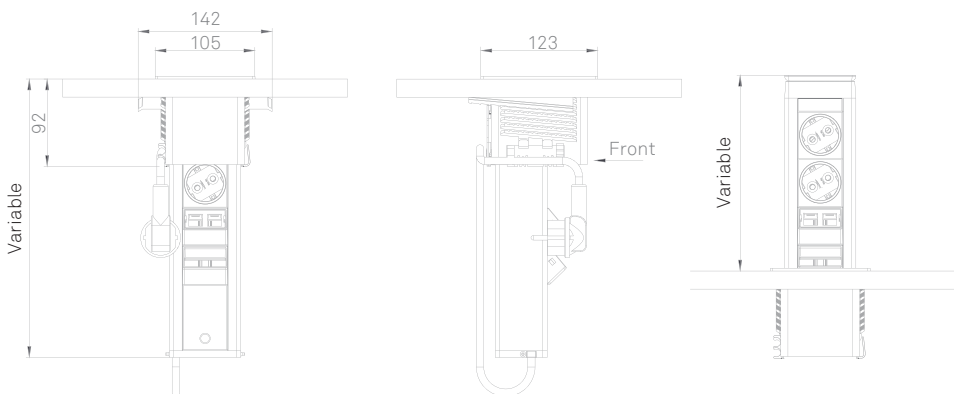
The retractable rectangular solution

EVOLine® Port Push

The EVOLine Port Push fits virtually flush with the work surface.

By using the Push-To-Open function, the housing is released and appears above the work surface, enabling an easy pull up to connect power and data cables. With a light press of a finger, it retracts with connected leads. Slide dampers ensure a soft closing. The patented rocking cover enables a space-saving cable routing through the desk.

The Port Push modules can be assembled to customer's needs. The interchangeable data and multimedia modules allow greater flexibility, enabling future proof technology with ever changing usage requirements.



Dimensions in mm

Housing	Aluminium, anodised
Inlay for Cover and Collar	Stainless steel Glass
Installation	Flush-mounted
Surface thickness	10 – 50 mm
Interchangeable modules	25 mm
Configurable	yes
Retractable	yes (connected leads)

Push-Function facilitates the opening

Individual surfaces



Brushed Stainless Steel



Glass, black



Glass, white

International power socket modules



USB-Charger:
Charges all common devices with USB connection

Bespoke assembly with interchangeable modules to meet your requirements



A selection of interchangeable modules can be found on page 114.



EVOLine®

Schulte Elektrotechnik GmbH & Co. KG

Juengerstrasse 21
D-58515 Luedenscheid
Germany

Telephone +49 23 51 / 94 81-0
Fax +49 23 51 / 4 26 58

E-Mail info@schulte.com
Internet www.evoline.com

